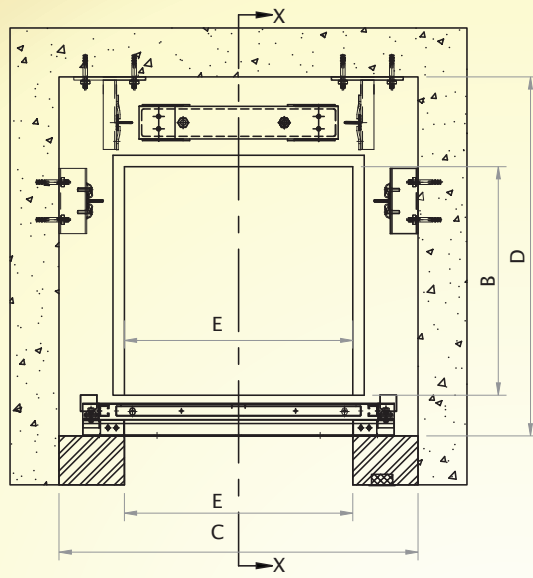


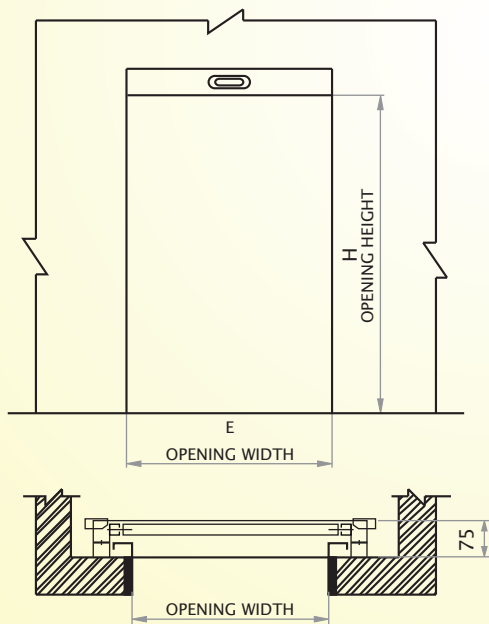
Service / Dumbwaiters Lifts

Civil Dimensions

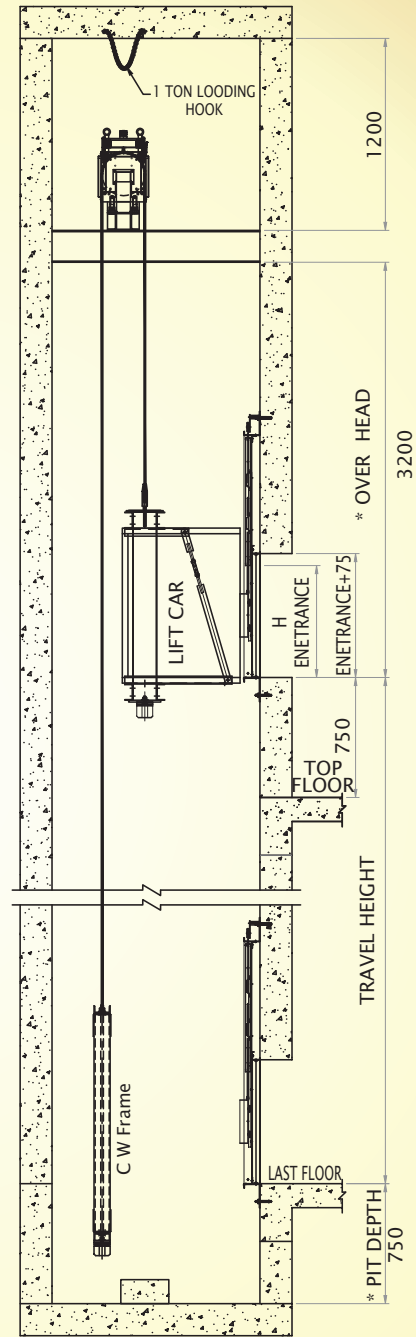
Recommended Dimensions of Service / Dumbwaiters Elevators



LIFT SHAFT, CAR, C.W. PLAN



VERTICAL SLIDING DOOR LANDING



(SECTION : X-X) LIFT WELL



Load kg	Car Inside		Lift Well		Entrance	
	A	B	C	D	E	H
100	700	700	1100	1125	700	800
150	800	800	1200	1225	800	900
200	900	900	1300	1325	900	1000
250	1000	1000	1400	1425	1000	1200

All dimensions in mm unless otherwise stated.

Above mentioned dimensions are suggestive only.

- Notes: 1. The Minimum Dimensions Are Shown In Above Table. Some Allowances Should Be Considered For Sloping Hoistways.
2. When Non Standard Capacities & Dimensions Are Required, Then Consult Omega